



STRAINERS

MODEL ST
Y-SERIES
T-SERIES & B-SERIES



Overview

A strainer catches foreign substances inside of piping and prevents them to flow inside of the piping for steam, air, water, and oil systems for a factory or plant, as well as problems or damage to devices attributable to the ingress of foreign substances



Operating Principle

The working principle of the pipeline strainer is very simple. It doesn't matter if you're using a tee, a simple duplex, or a Y-trainer. You need to recognize both the inlet and the outlet. Once the strainer is fully attached the fluid flows through the filter housing into the suction segment. When fluid flows, the strainer catches and keeps all foreign materials in place. This can include seaweed, plastics, big particles, etc. Well-functioning strainers successfully block foreign particles.



Salient features

- Standard sizes from 1/2" - 24".
- Flanged to ANSI, DIN, IS ,BS and Butt welded connections are available
- Rated to 150 lbs and 600lbs as standard. Higher ratings can be made on request.
- Bolted covers are standard
- May be installed in horizontal or vertical pipelines
- Qualified welders as per ASME SEC VIII.DP of welds are standard
- Radiography of welds can be done on request
- Custom cover thickness and Dia to suit operating pressure.
- Drain/blow off connections are provided with plugs as standard Vents, differentials and special covers are optional.
- Medium pressure drop
- Net free straining area 4 times pipe c/s area for 3 mm hole dia/least restrictive method for 40 mesh lined Strainers



Specifications

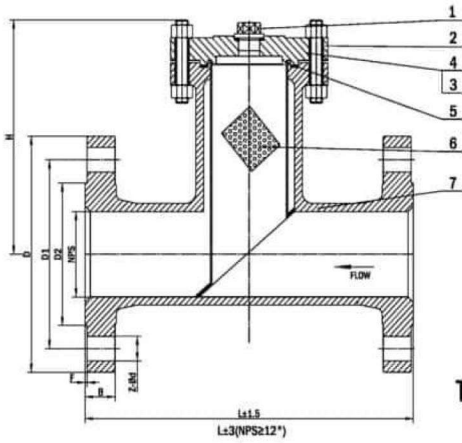
Body	IS1239,3589 ASTM A106, SS304/316 & Alloys.
Cover	A105, SA 516 GR 70, CS TO IS 2062, SS316,304 & Alloys.
Fastener	CS TO IS 1367 with spring washer. SS 304/316
Gasket	CAF, NACF, Neoprene, Nitrile,PTFE
Process Connection	Flanged or Screwed
Drain/Vent Plug	3A105, CS TO IS 1875-II, Stainless Steel & Alloys.
Filter Element	SS 304,316, Duplex, Brass, Monel, Hastalloy C



Applications

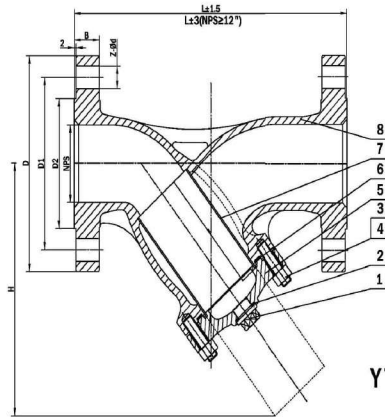
- Steam, liquid, gas and oil service
- Power industry
- Pulp and paper
- Chemical industry
- Metal & Mining
- Water & Waster
- Pharmaceutical & beverage plants
- Oil & Gas, Chemical & fertilizer plants

Types of constructions



7	BODY
6	STRAINER
5	GASKET
4	NUT
3	BOLT
2	BONNET
1	TAPERED PLUG
NO.	PART NAME

T TYPE STRAINER

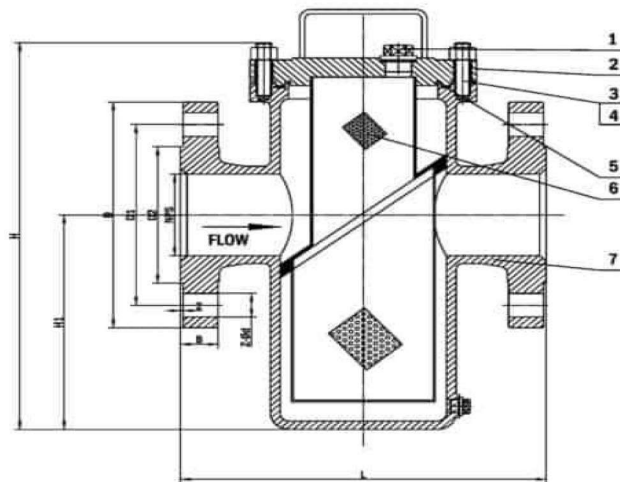


8	BODY
7	STRAINER
6	GASKET
5	BONNET
4	NUT
3	BOLT
2	GASKET
1	TAPERED PLUG
NO.	PART NAME

YTYPE STRAINER

'T' -strainer

'Y' - strainer



7	BODY
6	STRAINER
5	GASKET
4	NUT
3	BOLT
2	BONNET
1	TAPERED PLUG
NO.	PART NAME

Basket strainer



Ordering Information

Model Code: ST - X₁ X₂ X₃ X₄ X₅ X₅ X₆ X₇ X₈ X₉ X₁₀

INLET SIZE/PROCESS CONNECTION SIZE	X ₁
1/2"	A
3/4"	B
1"	C
1 1/2"	D
2"	E
Other	F

MODEL	X ₂
Y-SERIES	A
T-SERIES	B
B- SERIES	C
Others	D

BODY MATERIAL	X ₃
CAST IRON	A
DUPLEX STAINLESS STEEL	B
SS316/316L	C
Others	D

PROCESS CONNECTION TYPE	X ₄
FLANGED	A
THREADED	B
SOCKET WELDED	C
Others	D

FLANGE RATING AS PER ASME B16.5	X ₅
#150	A
#300	B
#600	C
Others	D

THREADED RATING AS PER ASME B16.11	X ₅
#3000	A
#6000	B
Others	C

PERFORATION	X ₆
NO PERFORATION	A
1 / 32"	B
1 / 64"	C
1 / 8"	D
3 / 32"	E
3 / 16"	F
7 / 32"	G
1 / 4"	H
3 / 8"	I
Others	J

MESH	X ₇
NO MESH	A
10	B
20	C
30	D
40	E
50	F
60	G
Other	H

DRAIN CONNECTION TYPE	X ₈
FLANGED	A
THREDED	B
Others	C

DRAIN CONNECTION SIZE	X ₉
1/2"	A
3/4"	B
1"	C
1 1/2"	D
2"	E
Other	F

OPTIONS	X ₁₀
SPECIAL TESTING	A
SPECIAL GASKETS	B
PAINTING	C
Others	D



How To Order

ST-E-A-C-A-B-D-E-A-B-A-B

- E** : 2"
- A** : Y-SERIES
- C** : SS316/316L
- A** : FLANGED
- B** : #300
- D** : #3000
- E** : 3 / 32"
- A** : NO MESH
- B** : THREDED
- A** : 1/2"
- B** : SPECIAL GASKETS

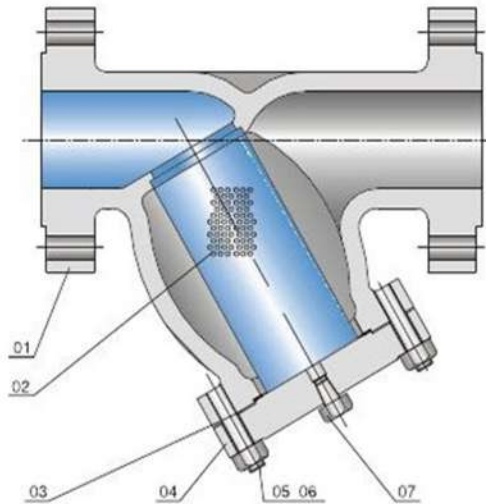
Schematic Diagram

Standars

Design and Manufacture : ASME B16.34
 Inspection and Test: API 598
 End flange dimension :ASME B16.5, ASME B16.47 A
 BW end dimension: ASME B 16.25
 Face to face and end to end : ASME B16.10

(Check valve/Globe valve)

Pressure-temperature ratings: ASME B16.34



No.	Part Name	Material				
		A216-WCB	A351-CF8	A351-CF3	A351-CF8M	A351-CF3M
01	Body	A216-WCB	A351-CF8	A351-CF3	A351-CF8M	A351-CF3M
02	Screen	304SS, 316SS, 304LSS, 316LSS				
03	Gasket	Graphite+ Stainless Steel (304SS, 316SS)				
04	Cover	A105/WCB	A182-F304	A182-F304L	A182-F316	A182-F316L
05	Bolt	A193 B7	A193 B8		A193 B8M	
06	Nut	A194 2H	A194 8		A194 8M	
07	Drain pug	A193 B7	A193 B8		A193 B8M	



ILG.V0.08.0422

©2021 Globe United FZE, All rights reserved.

 T5-41, Sharjah Airport International Free Zone, Sharjah, U.A.E.

 info@globeunitedae.com

 T: +971 65585309 | M: +971 55 9998947

 : Globe United FZE



info@globeunitedae.com
or scan



globeunitedae.com
or scan



Globe United FZE
or scan

